

MATERIAL AND TEST CERTIFICATE
 ACCORDING TO
 EN 10204 / DIN 50.049-3.1B
 AVAILABLE ON REQUEST



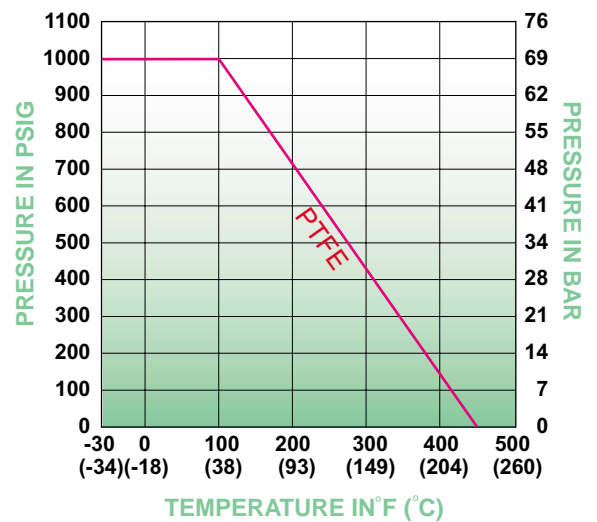
MARS SERIES 38

THREE-WAY BALL VALVES, THREADED END

REDUCED PORT, L OR T OPTION
 1/4"-2" 1000 PSI



PRESSURE VS. TEMPERATURE CHART
 for Valve 1/4" (DN8) to 2" (DN50)

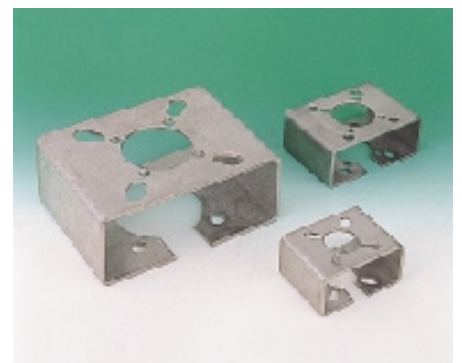


FEATURES

- Size Available from 1/4" To 2"
- Reduced Port
- L or T Port Option
- All Stainless Steel Construction
- Blow-Out Proof Stem
- ISO 5211 Actuator Mounting Pad
- Locking Device Standard

AUTOMATION AVAILABLE

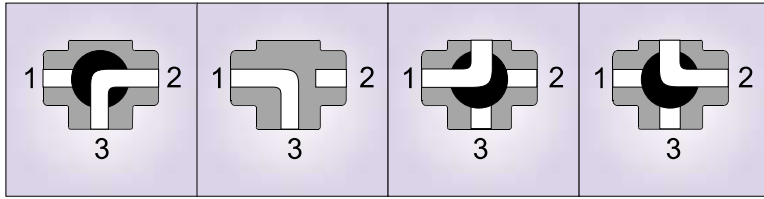
Stem Coupler, Adaptor, Brackets, and Namur type of Solenoid Valve available from Mars Valve



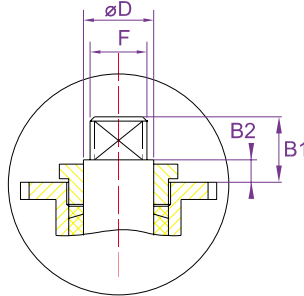
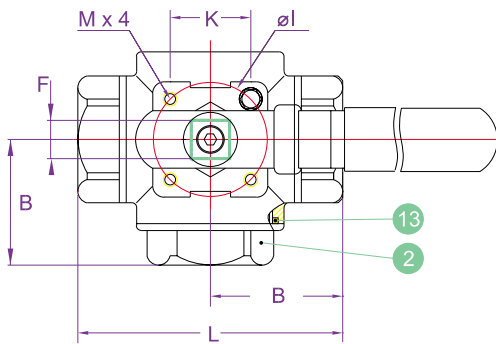
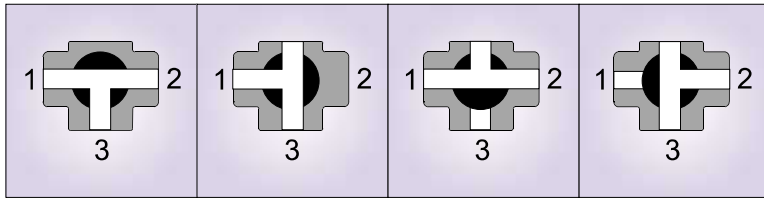
SERIES 38

FLOW PATTERNS

L-PORT

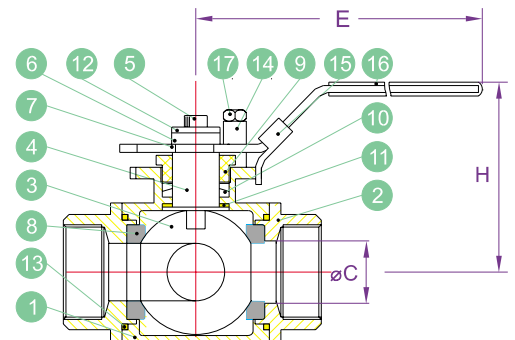


T-PORT



MATERIALS LIST

NO.	PART NAME	MATERIAL	Q'TY
1	Body	ASTM 351 Gr.CF8M	1
2	End Cap	ASTM 351 Gr.CF8M	3
3	Ball	SUS 316	1
4	Stem	SUS 316	1
5	Stem Nut	SUS 304	1
6	Stem Spacer	SUS 304	1
7	Handle	SUS 304	1
8	Seat	PTFE	4
9	Gland Nut	SUS 304	1
10	Stem Packing	PTFE	2
11	Thrust Washer	PTFE	1
12	Stem Disc	SUS 304	1
13	Joint Gasket	PTFE	3
14	Cylindrical Spacer	SUS 304	1
15	Locking Device	SUS 304	1
16	Handle Sleeve	Vinyl	1
17	Stop Bolt	SUS 304	1



DIMENSIONS (mm)

SIZE	B	B1	B2	øC	øD	E	F	H	øI	K	L	M	ISO5211	Wt.(Kg)
1/4"	34.0	11.0	6.0	11.0	12.0	106	9.0	58	42	29.7	68	M5	F04	0.6
3/8"	34.0	11.0	6.0	11.0	12.0	106	9.0	58	42	29.7	68	M5	F04	0.6
1/2"	37.5	11.0	6.0	12.7	12.0	138	9.0	61	42	29.7	75	M5	F04	0.7
3/4"	43.0	13.0	6.0	16.0	15.0	138	11.0	74	50	35.4	86	M6	F05	1.1
1"	51.5	19.0	7.5	20.0	15.0	162	11.0	81	50	35.4	103	M6	F05	1.75
1 1/4"	57.5	23.0	7.5	25.0	15.0	162	11.0	88	50	35.4	115	M6	F05	2.42
1 1/2"	62.5	23.5	8.5	32.0	15.0	220	11.0	104	70	49.5	125	M8	F07	3.4
2"	73.0	24.5	8.5	38.1	18.5	220	14.0	110	70	49.5	146	M8	F07	5.45

BREAK AWAY TORQUE

Valve Size	Nm	in-lbs.
1/4"	3.5	31
3/8"	3.5	31
1/2"	6	62
3/4"	8	75
1"	18	160
1 1/4"	29	310
1 1/2"	41	380
2"	50	450

HOW TO ORDER

38-10T 08 S

VALVE TYPE	VALVE SIZE	BODY MATERIAL
L-PORT 38-10L T-PORT 38-10T	01- 1/4" DN 8 02- 3/8" DN 10 03- 1/2" DN 15 04- 3/4" DN 20 05- 1" DN 25 06- 1 1/4" DN 32 07- 1 1/2" DN 40 08- 2" DN 50	S-CF8M



MARS VALVE CO.,LTD.
 7F-6,NO.200,SEC.4,WEN-SHIN ROAD
 TAICHUNG,TAIWAN,R.O.C.
 TEL:++886-4-297 3808
 FAX:++886-4-297 3608
 E-MAIL:mars@marsvalve.com.tw
<http://www.marsvalve.com.tw/>

AGENT: