

# MARS SERIES 91



**ONE PIECE UNIBODY FLANGED BALL VALVE**  
**STAINLESS & CARBON STEEL**  
**1/2" TO 4" ANSI 150 LBS**  
**REDUCED BORE**

## DESIGN FEATURES

- COMPACT UNIBODY CONSTRUCTION
- QUALITY INVESTMENT CAST BODY
- SECURED ISO 5211 ACTUATOR MOUNTING PAD AS STANDARD
- BLOW-OUT PROOF STEM
- DUAL, FULLY ENCAPSULATED BODY SEALS
- FIRE SAFE OPTIONS

QUALITY  
DURABILITY  
LONG SERVICE LIFE AND  
AUTOMATION  
MARS VALVE IS  
YOUR BEST CHOICE



- SIZE RANGE 1/2"-4"
- BODY MATERIALS  
ASTM A351 GR. CF8M  
ASTM A216 GR. WCB
- SEAT MATERIALS:  
PTFE, R-PTFE, MG1241...& ETC.
- PRESSURE RATING  
ANSI CLASS 150#
- DESIGN SPECIFICATIONS  
ANSI B16.10  
ANSI B16.5  
ANSI B16.34  
BS 5351  
BS 6755  
API 607  
MSS SP25

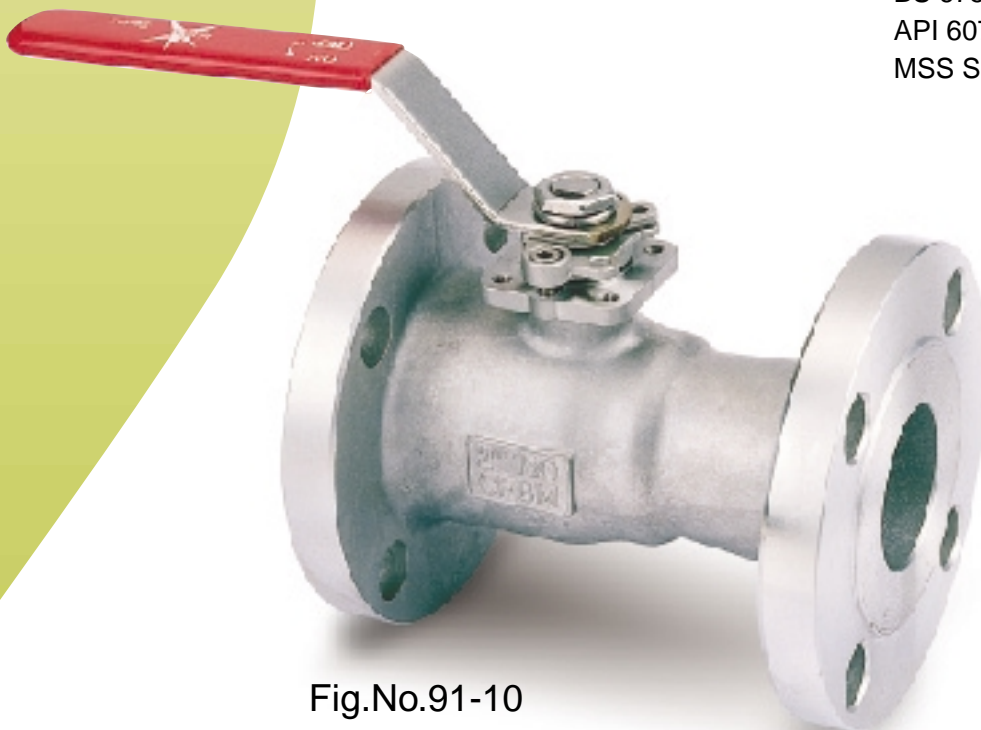


Fig.No.91-10

# MARS SERIES 91

ONE PIECE UNIBODY FLANGED BALL VALVE  
STAINLESS & CARBON STEEL

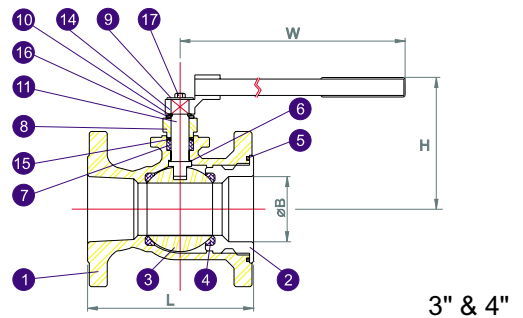
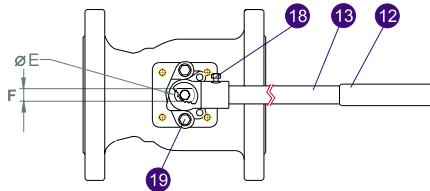
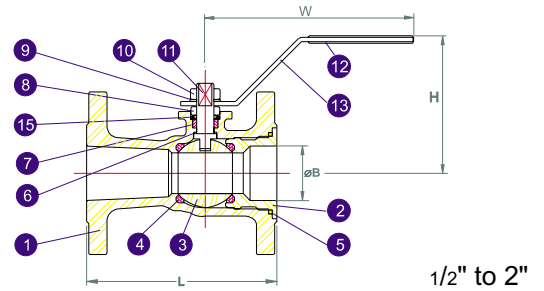
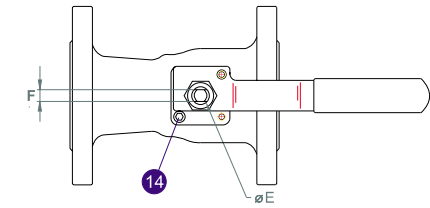
## MATERIALS LIST

NO.	PART NAME	MATERIAL	
1	Body	CF8M	WCB
2	End Cap	CF8M	WCB
3	Ball	ASTM A351 Gr. CF8M	
4	Ball Seat	PTFE	
5	Body Seal	PTFE	
6	Stem Seal	PTFE	
7	Stem Packing	PTFE	
8	Stem Nut	SS 304	
*8	Gland Flange	CF8M	
9	Washer	SS 304	
10	Handle Nut	SS 304	
*10	Retaining Ring	SS 304	
11	Stem	SS 316	SS 304
12	Grip	VINYL	
13	Handle	SS 304	
14	Stop Pin	SS 304	
*14	Boss	ASTM A351 CF8	
15	Belleville Washer	SS 310	
*16	Stopper	SS 304	
*17	Bolt	SS 304	
*18	Bolt	SS 304	
*19	Gland Bolt	SS 304	

\* DIMENSION for 3" & 4"

## DIMENSIONS(mm)

SIZE	∅ B	L	∅ E	F	H	W	ISO5211
1/2"	12.8	108	8.0	5	80	150	F03
3/4"	15.8	117	9.5	6	84	160	F03
1"	20.0	127	9.5	6	87	160	F03
1 1/2"	31.8	165	12.7	8	102	190	F04
2"	38.1	178	15.9	10	119	190	F05
3"	64.0	203	22.0	14	156	500	F07
4"	80.0	229	22.0	14	168	500	F07



## HOW TO ORDER

### BREAK AWAY TORQUE

Valve Size	in-lbs.	Nm
1/2"	45	5
3/4"	62	7
1"	89	10
1 1/4"	142	16
1 1/2"	177	20
2"	257	29
2 1/2"	567	64
3"	780	88
4"	1222	138

VALVE TYPE	VALVE SIZE	BODY MATERIAL	SEAT MATERIAL	
FIG. 91-10 ANSI 150#	03- 1/2"	S-CF8M	P- PTFE R-RPTFE C-Carbon filled PTFE M-MG1241	
	04- 3/4"	W-WCB		
	05- 1"			
	06- 1 1/4"			
	07- 1 1/2"			
	08- 2"			
	09- 2 1/2"			
	10- 3"			
	11- 4"			



**MARS VALVE CO.,LTD.**

7F-6,NO.200,SEC.4,WEN-SHIN ROAD,  
TAICHUNG, TAIWAN, R.O.C.

TEL:++886-4-297 3808

FAX:++886-4-297 3608

E-MAIL:mars@marsvalve.com.tw

<http://www.marsvalve.com.tw/>

AGENT: